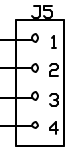
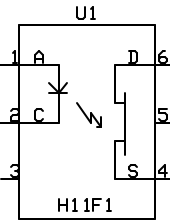
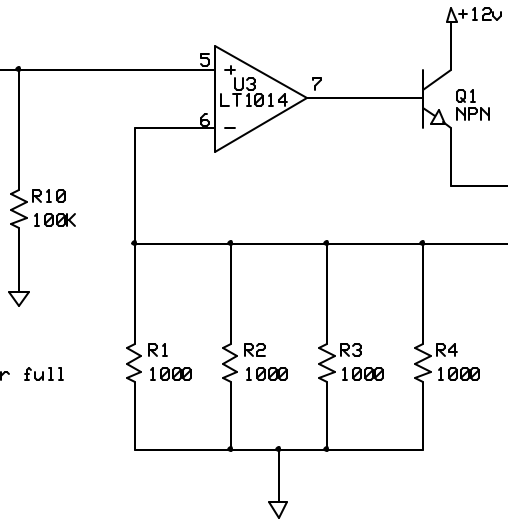


0 - 3 Volts

VSPEED

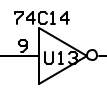


SPEED
SENSE

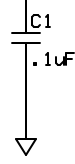
+5v



+5v



VSENSE



Controlled Sensations	
Computer Interface	
Rev 1.0	Page 1
1/9/2005	